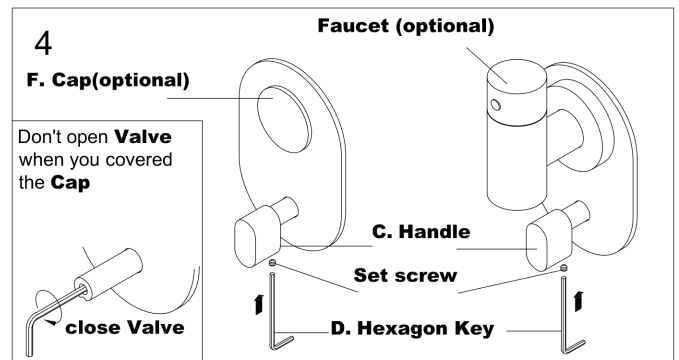
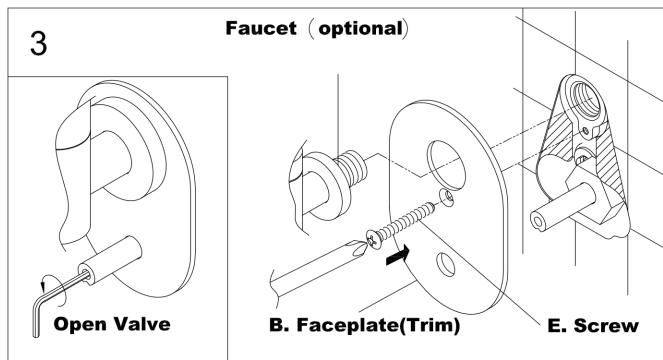
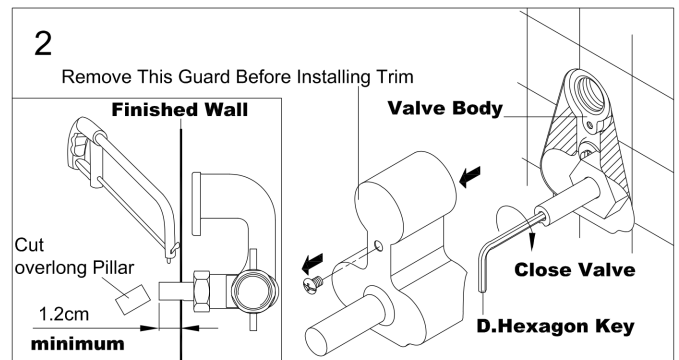
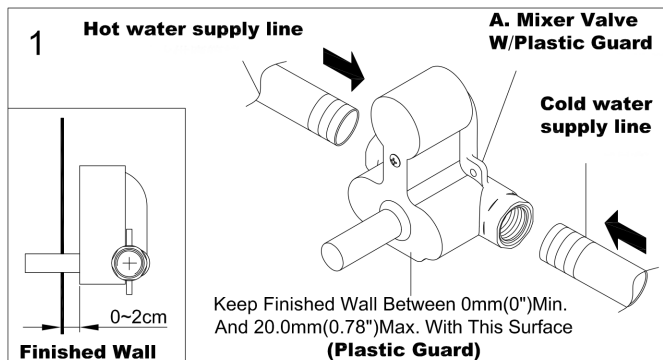


INSTALLATION INSTRUCTIONS

Mixer Valve



CAUTION : Risk Of Product Damage.

When finished installation, turn the valve on and run for 1 minute before using.

WARNING: Always turn off **Valve** with **Hexagon Key(2.5mm)** provided before starting. Keep the distance from **Finished Wall** to **Plastic Guard** surface between 0~2cm(0.78")max.

1. Apply pipe compound or sealant tape to Hot and Cold water supply line then connect with Valve Body as Fig. 1 shown.
2. Remove This Guard Before Installing **Faceplate(Trim)** and cut overlong pillar to certain length as shown for fixing **Handle** then close **Valve** with **Hexagon Key(2.5mm)** as Fig.2 shown.
3. Locked **Faceplate(Trim)** with **Screw** and installing **Faucet**, then open the **Valve** with **Hexagon Key** and fixed **Handle** in place with **Set screw**.
4. Or, locked **Faceplate(Trim)** with **Screw** and fixed **Handle** with **Set screw** then cover **Cap** in place ready for use.

Note: The **Mixer Valve Handle** only for adjust water temperature. Keeping the **Hexagon Key(2.5mm)** provided for open & close **Valve** in future if necessary.

The thread of inlets of both sides are 1/2 BSPT. Please purchase the additional **connectors** for different specification of pipes.

FIXING CONTENTS

